

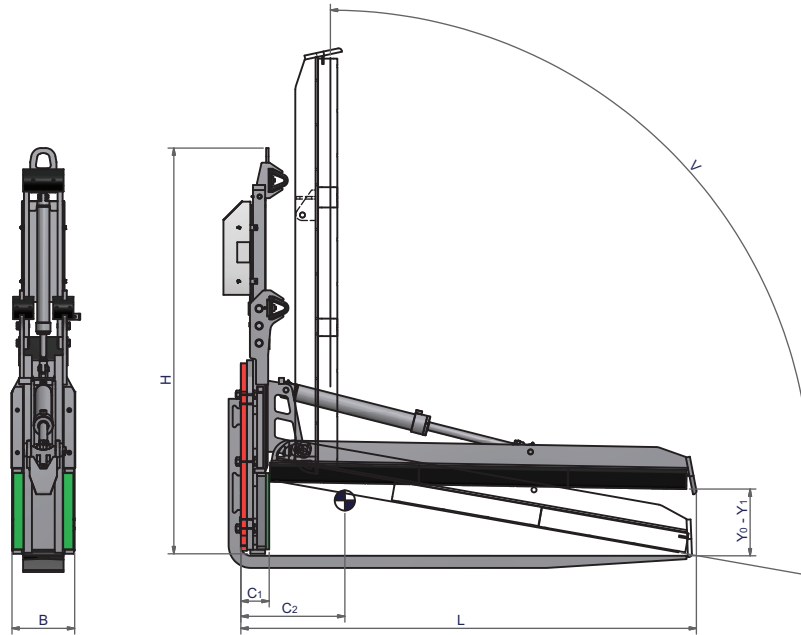
Load stabilizer, type LS

Advantages

- Maintain load stability when travelling long distances or on uneven ground
- Suitable for driving with wide load
- Little lost load centre
- Minimal loss of capacity of the truck



0000984h.cdr



	P [kg]	a [mm]	H [mm]	B [mm]	C ₁ [mm]	C ₂ [mm]	L _{min} [mm]	L _{max} [mm]	V [°]	Y ₀ - Y ₁ [mm]	E _{H1} [mm]	E _{H2} [mm]	Q [kg]
LS 3/500 - 1200-L	3000-5000	500	1800	260	85	300	1200	2000	102	0 - 450	325	100	360
LS 6/600 - 1500-L	6000-10000	600	2200	310	133	440	1500	2400		281	122	760	
LS 12/600 - 1600-L	12000-18000		2500	360	160	475	1600	2500		333	148	1050	
LS 12/600 - 1600-H	10000-20000	1200	3000	400	176	535	1800	3000	100 - 900	295	135	1260	
LS 20/1200 - 1800-H	25000-35000						2200	3500					310
LS 35/1200 - 2200-H				on request						on request			

Max. working pressure 200 [bar].
1 or 2 hydraulic functions + if necessary an electric switch.
Excl. forks.

