

TERBERG
YT - SERIES



MOVING THOUSANDS OF
TRAILER WITH CARGO

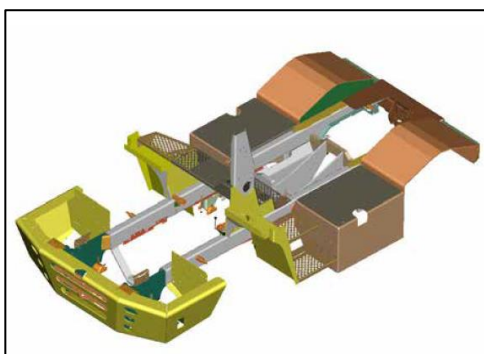




BASED ON PROVEN DESIGNS



- Gross Combination Weights up to 185 tonnes
- Fifth wheel lifting capacity up to 36 tonnes
- The fully welded chassis is a perfect combination of modular construction, strength, weight and easy access
- The spacious and strong, all-steel cab structure (fully FOPS and ROPS tested) ensures maximum driver protection
- The large rear window gives excellent driver visibility under all working conditions
- Inboard door for safety and convenience
- Based on proven designs, ensuring reliability and lowest operating and maintenance costs
- Incorporates high quality components, available throughout the world



The fully welded chassis is a perfect combination of strength, weight and easy access



Strong, all-steel cab structure (fully FOPS and ROPS tested) ensures maximum driver protection

YT - SERIES

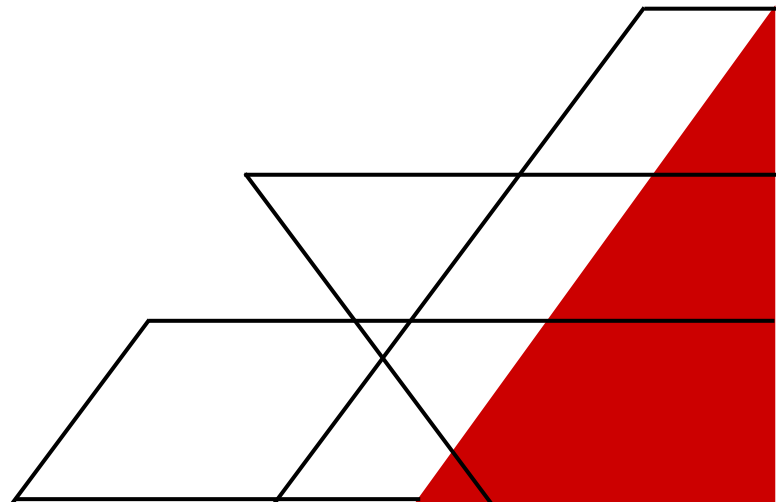
THE PERFECT CHOICE

YT180 / YT220 / YT220 6X4 / YTxx3

- Designed for moving trailers in container terminals, distribution centres, transport depots, and airports
- Fuel economy driveline for optimum performance
- Various engine brands for optimum performance
- Our worldwide distributor network and our efficient spare parts service ensure professional after sales-support

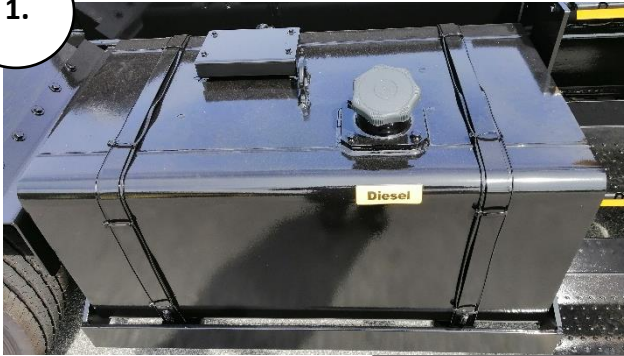


YARD TRACTORS





1.



2.



3.



1. 300 litres fuel tank for longer operations
2. Convenient, comprehensive access to vehicle information without the need for a laptop computer or additional equipment
3. Spacious interior cabin space offers a high degree of comfort and an excellent and ergonomic working environment for the driver
4. Clearly marked relays and fuses, all accessible in one central compartment
5. 5th wheel lifting cylinders

4.



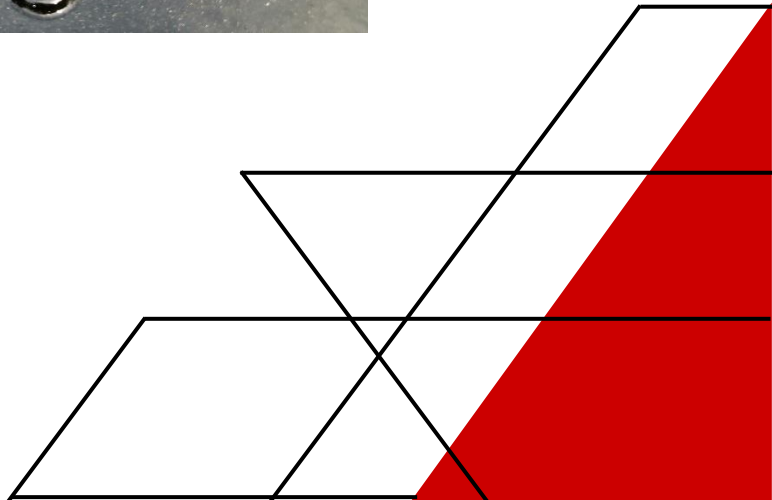
5.



YARD TRACTORS

YT - SERIES

- 6. Safe inboard door
- 7. Transmission oil level indicator
- 8. Easy topping up engine oil
- 9. Anti-slip floor
- 10. Sound insulation material to ensure low noise level





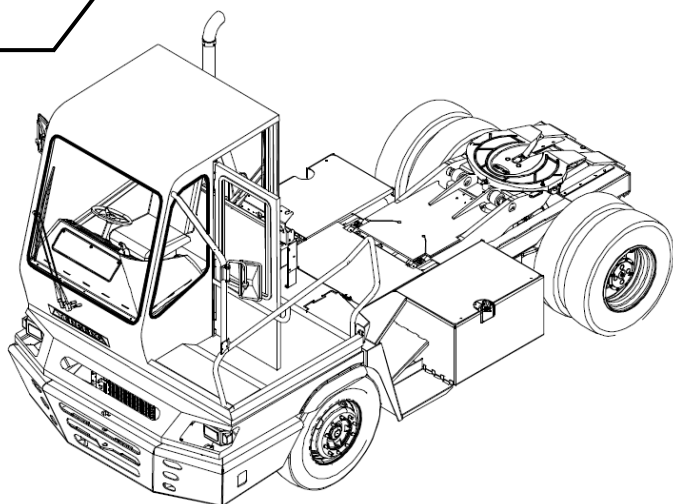
The Terberg YT180/220 series Yard Tractors are designed for moving trailers in distribution centres, transport depots, container terminals and airports.

The spacious and comfortable driver's cab offers excellent visibility and has an inboard door for safety and convenience.

YT tractors have a fixed, forward-facing seat. If your application requires extensive reversing you may consider the RT series which features a 180° swivelling seat.

4 x 2

Gross Combination Weight (GCW) up to 115 tonnes; fifth wheel lifting capacity up to 36 tonnes.



Summary	YT180	YT220
Engine **	Cummins QSB6.7C	Cummins QSB6.7C
Engine Capacity **	6.7 cc	6.7 cc
Horsepower **	173 HP @ 2200 RPM	220 HP @ 2200 RPM
Torque **	799 Nm @ 1400 RPM	949 Nm @ 1500 RPM
Fuel Tank Capacity	300 litres	300 litres
Transmission	Allison 3000 (6F 1R)	Allison 3000 (6F 1R)
Driveline**	4 x 2	4 x 2
Driveline 6 x 4	Not available	Available
Front Axle Capacity **	10 t @ 20km/h	10 t @ 20km/h
Rear Axle Capacity **	30 t @ 20km/h	30 t @ 20km/h
GCW *	75 t	90 t
5 th Wheel Lifting Capacity	36 t	36 t
Seat	Forward facing	Forward facing
Left and Right Hand Drive	Available LHD and RHD	Available LHD and RHD

* Rating depends on operating conditions, etc

** Other driveline components available

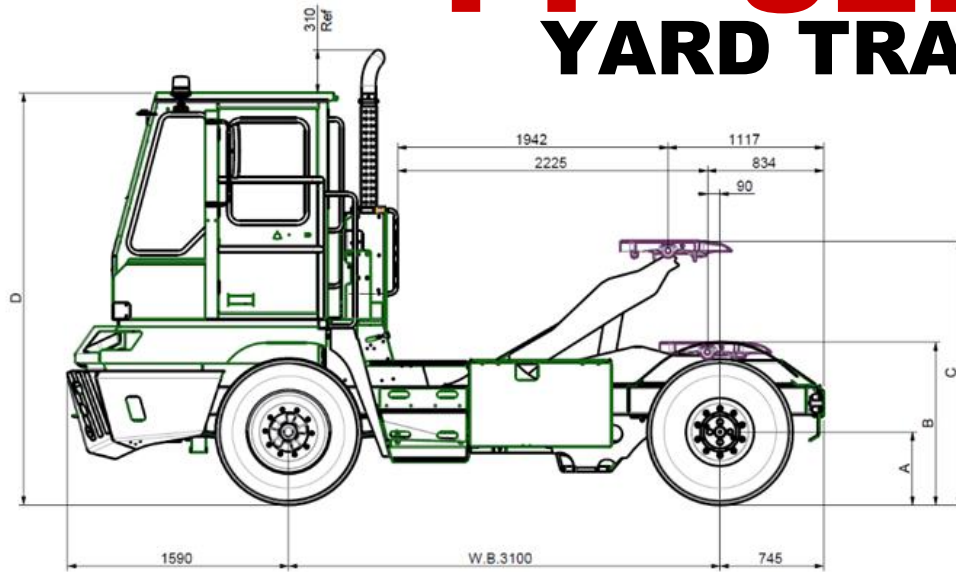
Please contact your Terberg or local agent to discuss the best model and options for your application

YT - SERIES

YARD TRACTORS

YT - SERIES

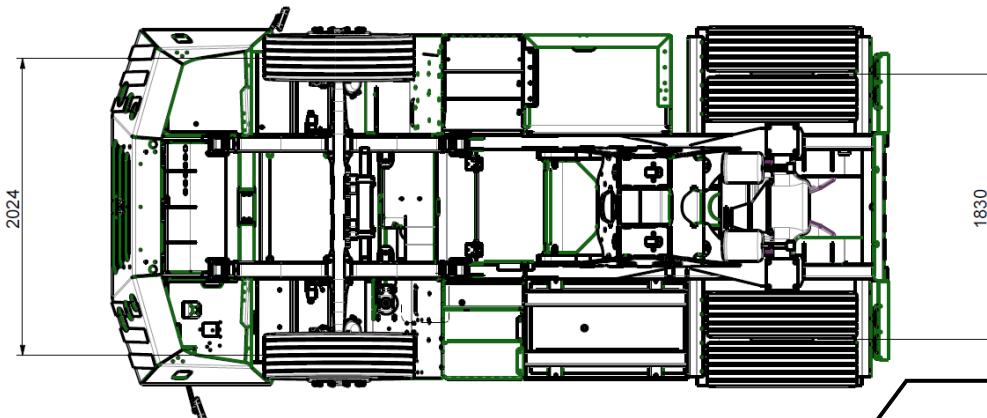
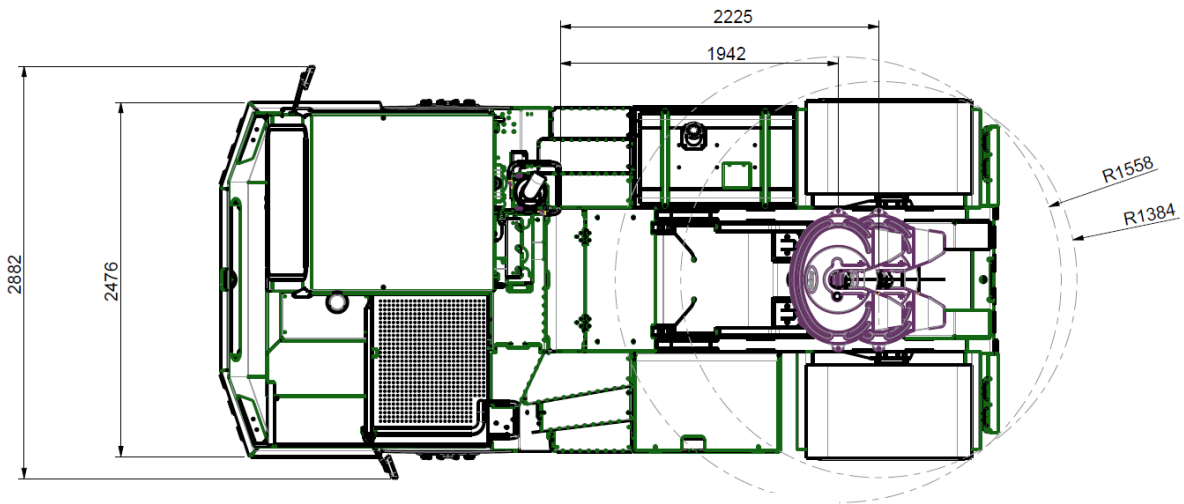
YARD TRACTORS



Item*	Dimension (mm)*
A	505
B	1160
C	1918
D	2941
Highest – Lowest Height (5 th Wheel)	758

*Dimensions depends on rear axle and tyre model

*Details illustrated is YT lift arm with TTA-70 axle with 11R22.5 size tyres





Forkliftcenter B.V.
Hornweg 18
1045AR Amsterdam
The Netherlands
www.forkliftcenter.com

Keep on moving  **FORKLIFTCENTER**